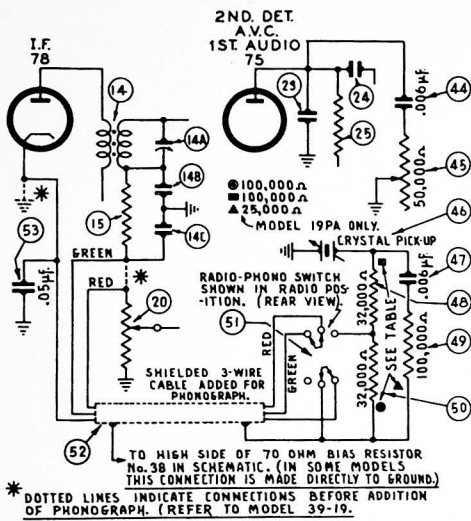


# PHILCO Models 39-19 PA, 39-19 PF, 39-19 PCS, 39-19 PT



PHONOGRAPH CONNECTIONS  
MODELS 19PA, 19PF, 19PCS, 19PT.

## Replacement Parts — Model 39-19 PA

SCHE. No.	DESCRIPTION	PART No.	SCHE. No.	DESCRIPTION	PART No.	SCHE. No.	DESCRIPTION	PART No.
44	Condenser (.006 mfd., 400 V.)	30-4591	52	Cable (Radio-Phono Switch)	30-4519		Tone Arm Complete with Crystal and Base Turntable (10")	35-2048
45	Tone Control	33-5327	53	Condenser	30-4519		Tuning Shaft	35-3032
46	Crystal Cartridge	35-2044					Motor (110 V., 60 cycle)	35-6015
47	Condenser (.006 mfd., 400 V.)	30-4591					Shaft (Wave Switch and Volume Control)	35-1163
48	Resistor (32,000 ohms)	33-132339					Dashboard Assy. (Automatic Record Chgr.)	38-9840
49	Resistor (100,000 ohms)	33-410339					Handles (For Lid of 19PA Cabinet)	36-6004
50	Resistor (32,000 ohms)	33-132339					Springs (Governor Ball of Record Chgr.)	35-1179
51	Switch (Radio-Phono)	42-1053						

### MISCELLANEOUS PARTS

## Replacement Parts — Models 39-19 PF, 39-19 PCS, 39-19 PT

SCHE. No.	DESCRIPTION	PART No.	SCHE. No.	DESCRIPTION	PART No.	SCHE. No.	DESCRIPTION	PART No.
44	Condenser (.006 mfd., 400 V.)	30-4591	50	Resistor (32,000 ohms)	33-132339		Sleeve for Tuning Shaft	28-6935
45	Tone Control	33-5327	51	Switch (Radio-Phono)	42-1053		Shaft (Wave Change and Volume Control)	38-9748
46	Crystal Cartridge	418-1027	52	Cable (Radio-Phono Switch)	30-4519		Tuning Shaft Tube	28-6935
47	Condenser (.006 mfd., 400 V.)	30-4591	53	Condenser (.05 mfd., 200 V.)	30-2057		Tone Arm and Pick-up Complete	35-2027
48	Resistor (32,000 ohms)	33-132339			28-6928		Turntable (9")	35-3035
49	Resistor (100,000 ohms)	33-410339						

# PHILCO Model 39-30 PCX

Model 39-30 PCX is a combination automatic record changer phonograph and electric push-button tuning superheterodyne radio receiver. This model is identical to the Model 39-30 Code 121 with the exception of the automatic record changer. The automatic record changer plays ten records either 10 or 12 inches repeating the last selection until the records are restacked or the set is turned off. The electric pick-up is a crystal type.

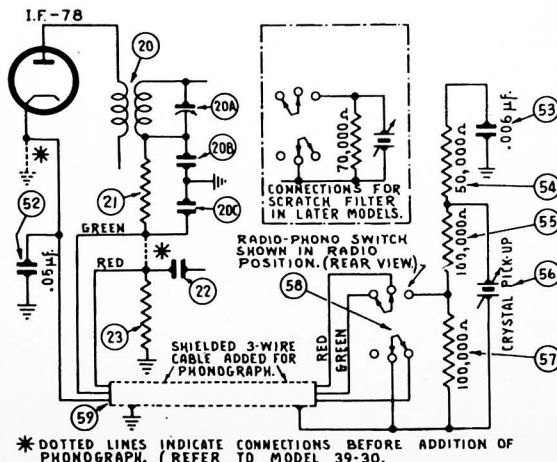
The specifications for the radio receiver, alignment of compensators and adjustment of push-buttons for reception of stations is covered under Model 39-30 Code 121. The connections for the phonograph pick-up as connected in the Model 39-30 Code 121 receiver are shown below. The circle numbers of this diagram correspond to the circle numbers of the Model 39-30 Code 121 schematic.

Service instructions for the automatic record changer mechanism will be supplied upon request.

## Replacement Parts — Model 39-30 PCX

SCHE. No.	DESCRIPTION	PART No.
52	Condenser (.05 mfd., 200 V.)	30-4519
53	Condenser (.006 mfd., 200 V.)	30-4583
54	Resistor (50,000 ohms)	33-350339
55	Resistor (100,000 ohms)	33-410339
56	Crystal Cartridge	35-2030
57	Resistor (100,000 ohms)	33-410339
58	Switch (Radio-Phono)	42-1522
59	Cable	

MISCELLANEOUS PART	
Tone Arm and Pick-up (Less Base)	35-2059



PHONOGRAPH CONNECTIONS FOR MODEL 39-30PCX.